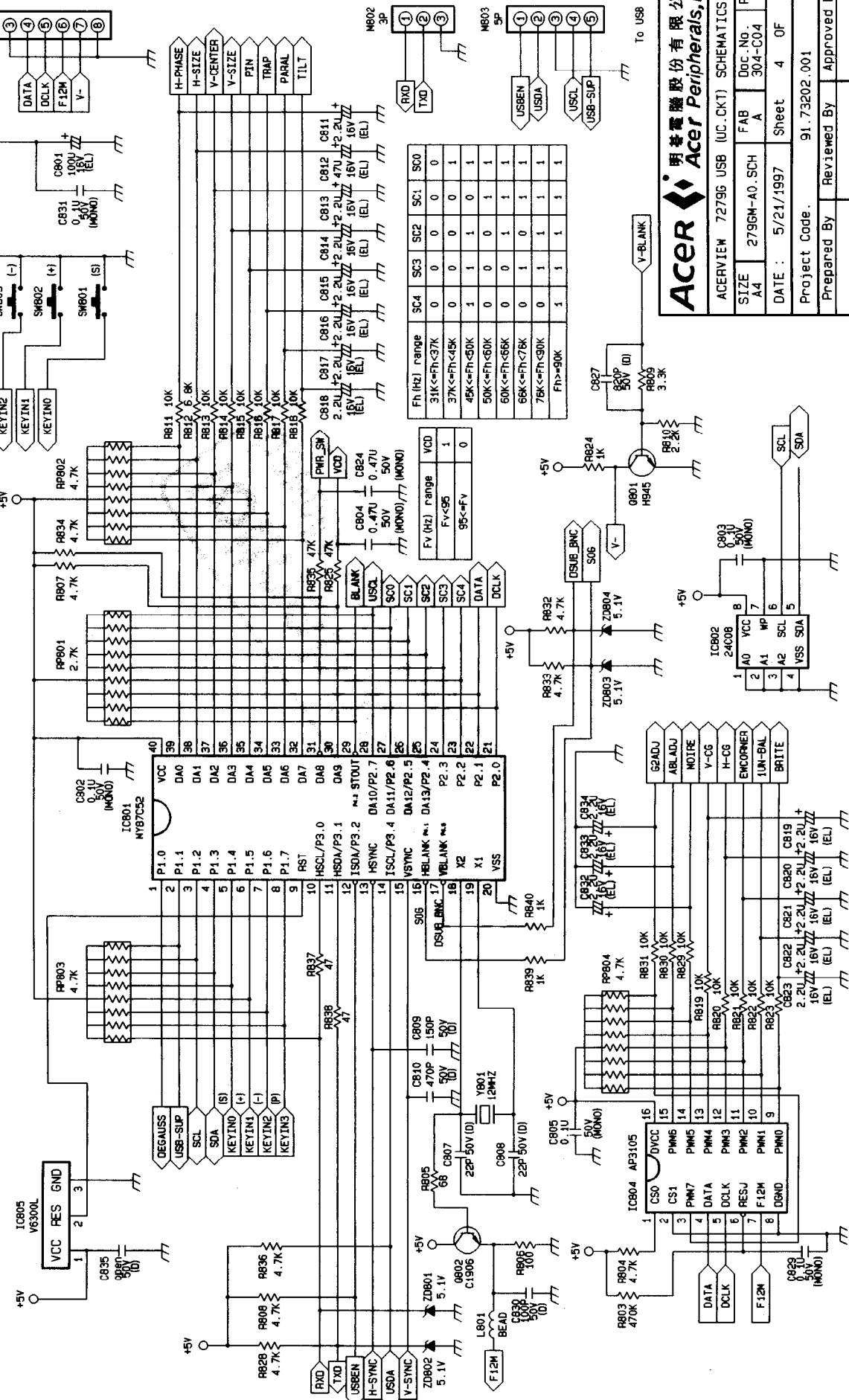


ACER 明基電腦股份有限公司
Acer Peripherals, Inc.

ACERVIEW	7279G (MAIN.CKT)	SCHEMATICS
SIZE	2796M-A0.SCH	FAB Doc No.
A4	A	304-C04
DATE	5/21/1997	REV. 1
Project Code.	91.73202.001	Sheet 3 OF 4
Prepared By	Reviewed By	Approved By

NOTES:
 1. Resistor values are in ohm, k=1,000 ohm, M=1,000,000 ohm
 2. All resistors are 1/8 watt, 5% except where otherwise indicated
 3. ∇ Represents PCB common ground.

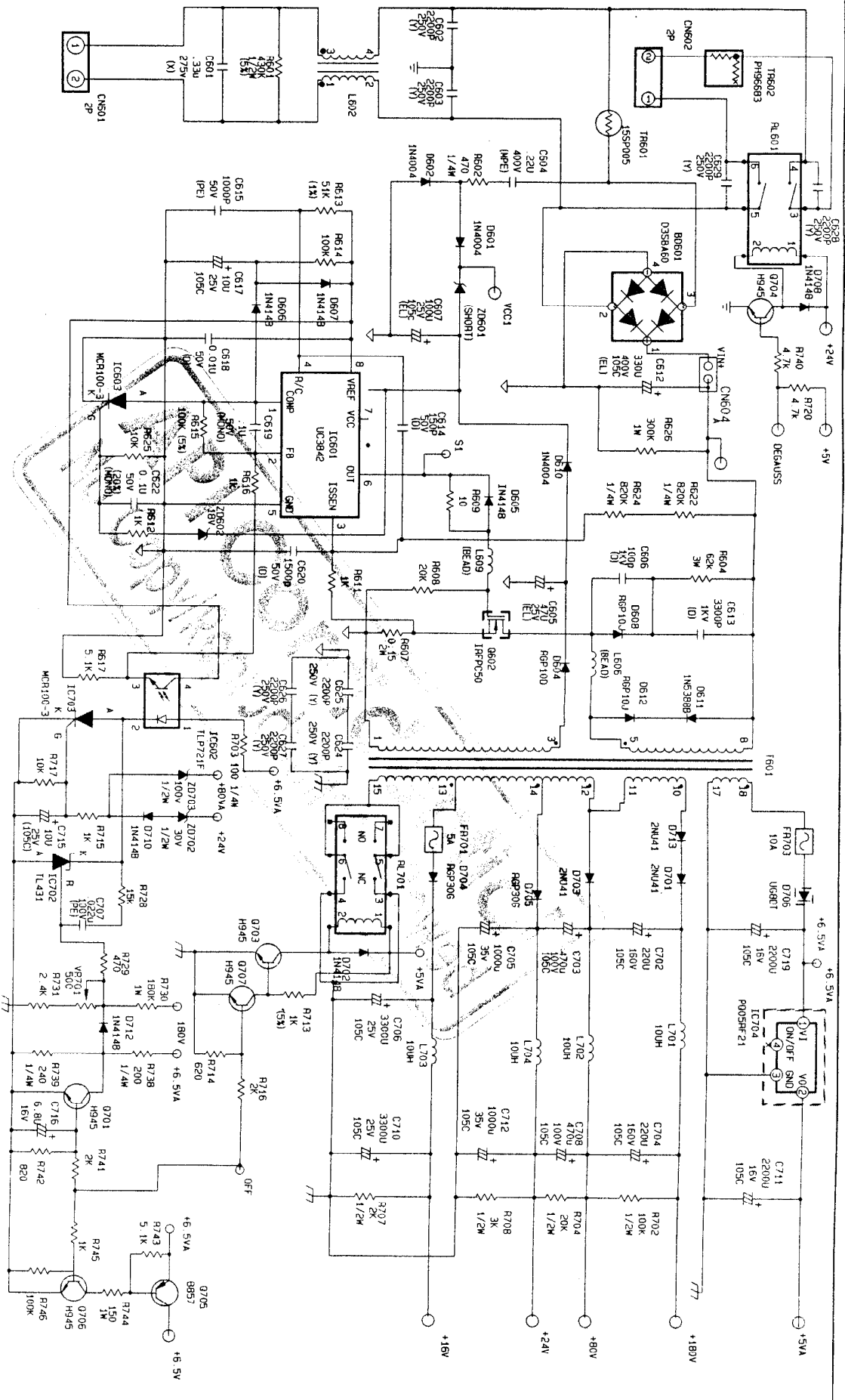
NOTES:
 1. Resistor values are in ohm, K=1,000 ohm, M=1,000,000 ohm
 2. All resistors are 1/8 watt, 5% except where otherwise indicated
 3. ∇ Represents PCB common ground.



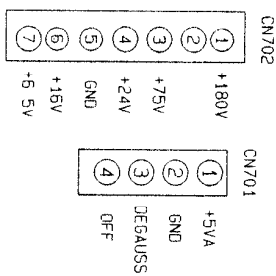
Fh (Hz) range	SC4	SC3	SC2	SC1	SC0
31K<=Fh<37K	0	0	0	0	0
37K<=Fh<45K	0	0	0	0	1
45K<=Fh<50K	1	1	0	0	1
50K<=Fh<60K	0	0	0	1	1
60K<=Fh<66K	0	1	0	1	1
66K<=Fh<78K	0	1	0	1	1
78K<=Fh<90K	0	1	1	1	1
Fh>=90K	1	1	1	1	1

Fv (Hz) range	VCD
Fv<=95	1
95<=Fv	0

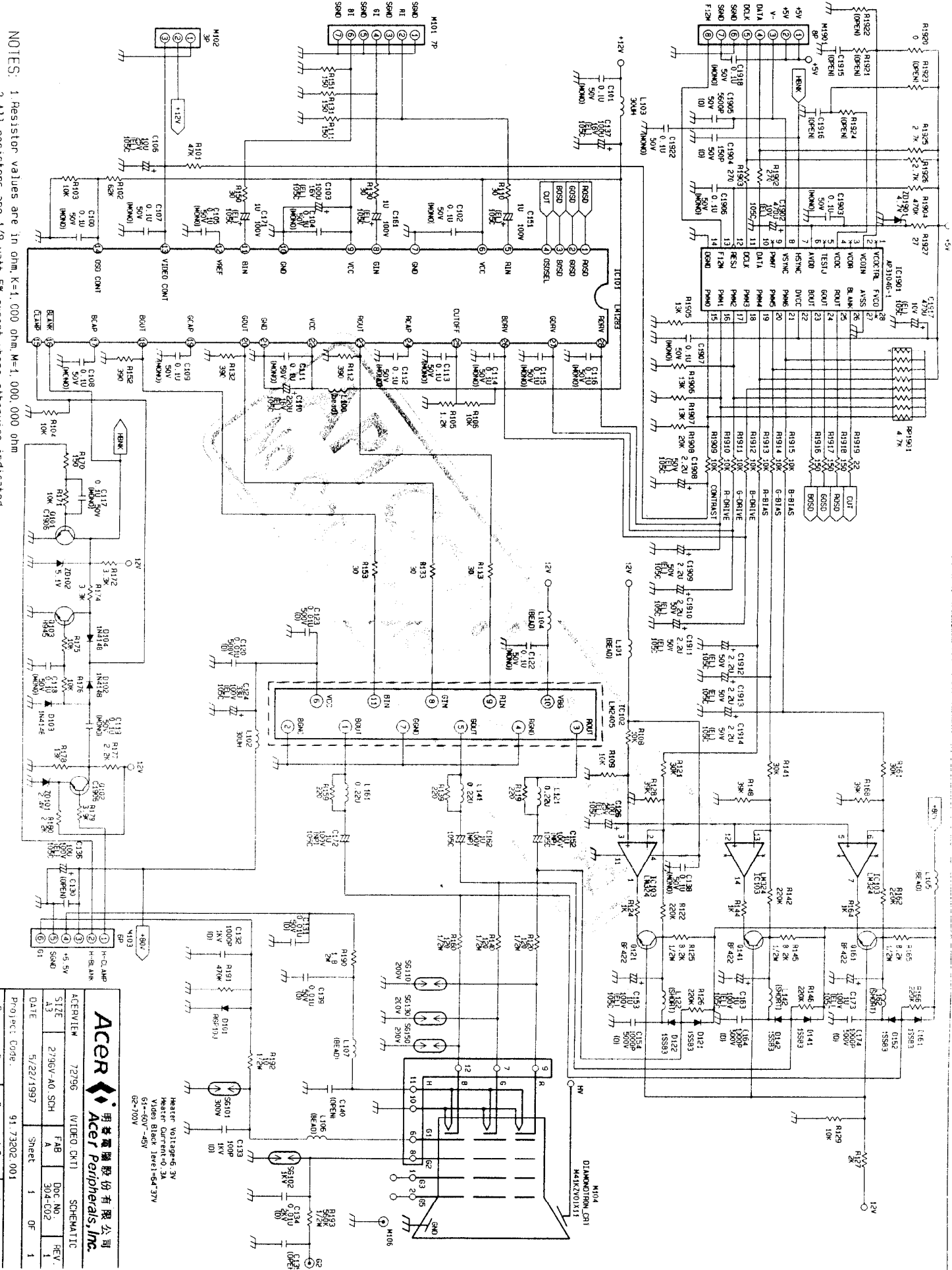
ACER 明基電腦股份有限公司
 ACERVIEW 7279S USB (UC.CKT) SCHEMATICS
 SIZE A4
 DATE : 5/21/1997
 Project Code : 91.73202.001
 Prepared By :
 Reviewed By :
 Approved By :
 Doc. No. REV. 304-C04 1
 FAB A 279GN-AD.SCH
 Sheet 4 OF 4



NOTES: 1. Resistor values are in ohm, K=1,000 ohm, M=1,000,000 ohm
 2. All resistors are 1/8 watt except where otherwise indicated
 3. 卍 ⇨ ⇩ Represents PCB common ground.



		明基電腦股份有限公司	
		Acer Peripherals, Inc.	
ACERVIEW	712796	(SPS: CKT)	SCHEMATICS
SIZE	A3	2796SP64.SCH	FAB DOC No. 304-C01
DATE :	5/22/97	Sheet	1 OF 1
Project Code	91 73202 001		
Prepared By	Reviewed By		Approved By



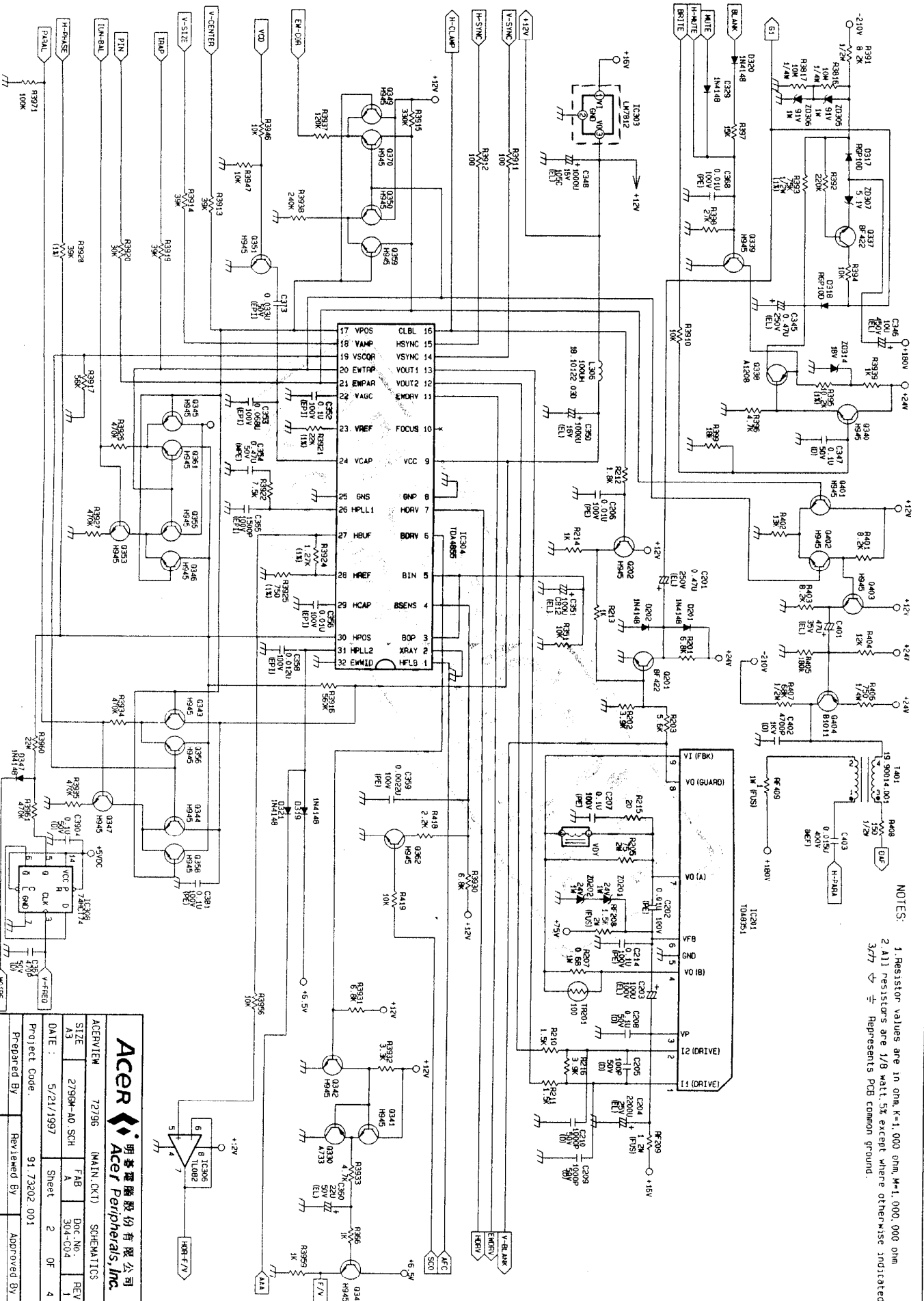
NOTES: 1. Resistor values are in ohm, K=1,000 ohm, M=1,000,000 ohm
 2. All resistors are 1/8 watt, 5% except where otherwise indicated



明碁電腦股份有限公司
 Acer Peripherals, Inc.
 ACRVIEW 72796 (VIDEO CRT) SCHEMATIC
 SIZE 2796V-40-SCH FAB DOC NO. 304-C02 REV. 1
 DATE 5/22/1997 Sheet 1 OF 1

Project Code: 91.73202.001
 Prepared By: Reviewed By: Approved By:

Heater Voltage: 6.3V
 Heater Current: 0.3A
 Video Black Level: 64.37V
 G1-10V -85V
 G2-100V



NOTES:

- 1. Resistor values are in ohm, K=1,000 ohm, M=1,000,000 ohm
- 2. All resistors are 1/8 watt, 5% except where otherwise indicated
- 3. 777 ∇ ∇ Represents PCB common ground.

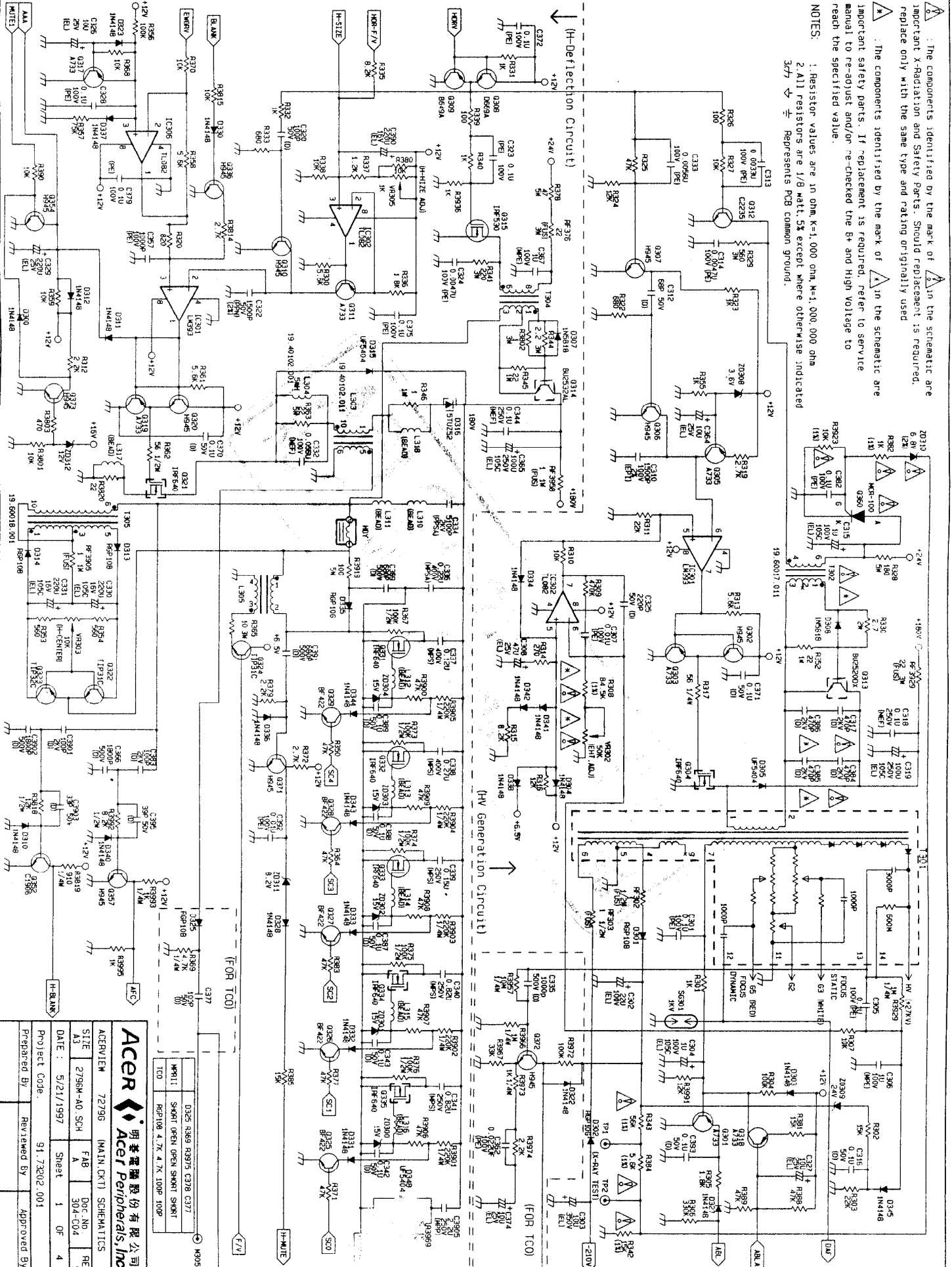


ACERVIEW	72/796	MAIN: DKT1	SCHEMATICS
SIZE	A3	FAB	DWG NO. 304-C3-4
DATE	5/21/1997	Sheet	2 OF 4
Project Code	91-73002-001	Reviewed By	Approved By

△ The components identified by the mark of △ in the schematic are important X-Radiation and Safety Parts. Should replacement is required, replace only with the same type and rating originally used.

△ The components identified by the mark of △ in the schematic are important safety parts. If replacement is required, refer to service manual to re-check just and/or re-checked the 6+ and High Voltage to reach the specified value.

NOTES:
 1. Resistor values are in ohm, K=1,000 ohm, M=1,000,000 ohm
 2. All resistors are 1/8 watt, 5% except where otherwise indicated
 3. 777 ⊕ = Represents PCB Common ground.

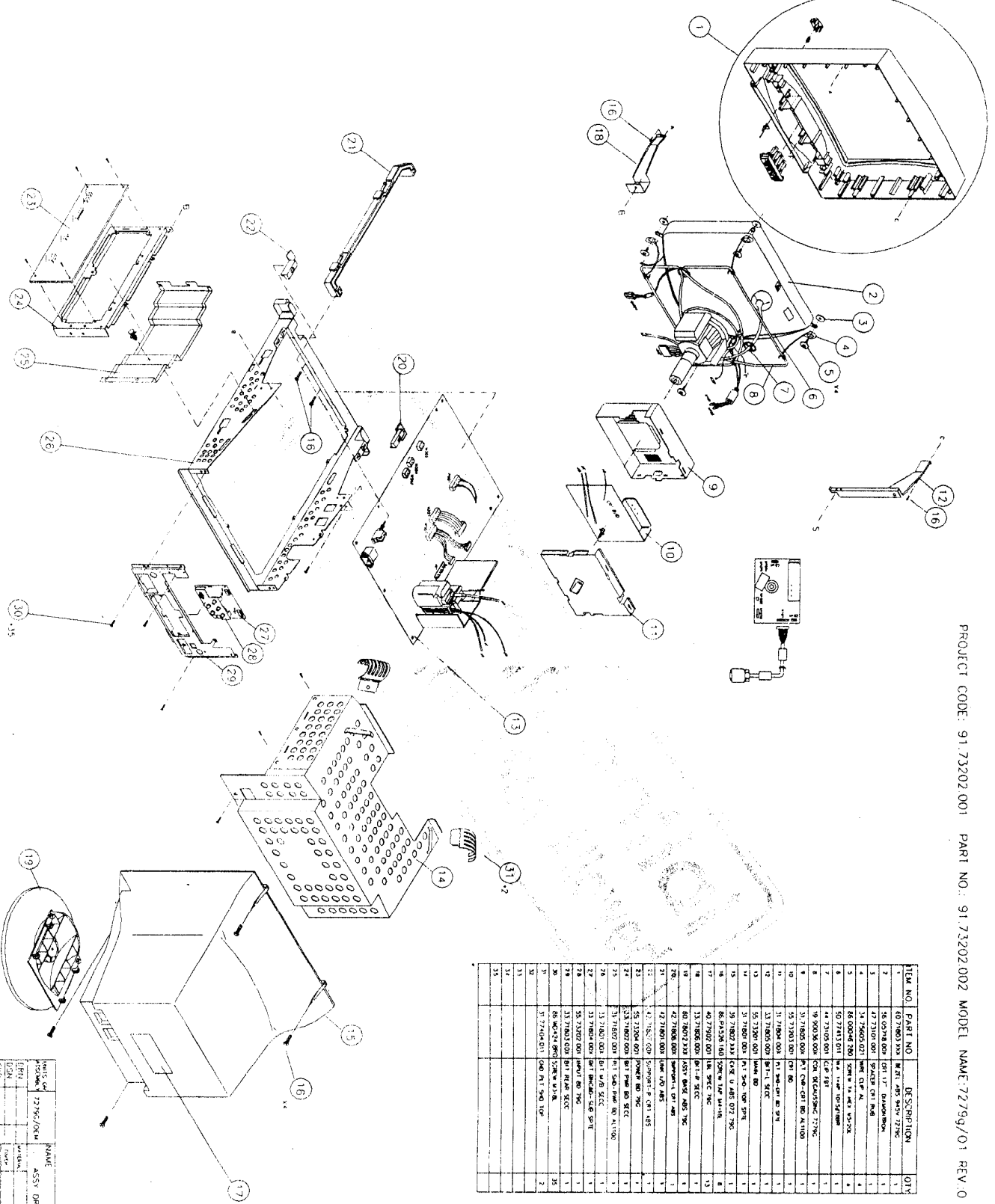


ACER 明基電腦股份有限公司
Acer Peripherals, Inc.

ACERVIEW 7279G (MAIN CKT) SCHEMATICS
 SITE A3
 DATE: 5/21/1997
 Project Code: 91.73202.001

REV	REV	REV	REV
1	1	1	1
304-004	304-004	304-004	304-004
A	A	A	A
1	1	1	1
1	1	1	1

Approved By: _____



ITEM NO.	PART NO.	DESCRIPTION	QTY
1	60.71800.000	MAIN CASE 945W 2779G	1
2	56.03718.000	TOP LID 945W 2779G	1
3	47.21101.001	SPEAKER GRILL RMB	1
4	31.75605.021	HINGE CLIP R	4
5	66.00048.700	SCREW T4 M2.5 X 3.5-2X	4
6	50.77415.011	SCREW T4 M2.5 X 3.5-2X	1
7	44.21103.001	CLIP FRONT	1
8	19.90036.000	CDROM DRIVE DVD+RW 2779G	1
9	31.71805.000	PCF COVER FRONT R0 A1100	1
10	55.71703.001	CHIT R0	1
11	31.71804.000	PCF COVER FRONT L	1
12	31.71805.000	PCF COVER FRONT R	1
13	55.71703.001	CHIT R0	1
14	21.11801.001	PCF COVER FRONT	1
15	28.81802.001	PCF COVER FRONT	1
16	46.71702.010	SCREW T4 M2.5 X 3.5-2X	4
17	46.71702.010	SCREW T4 M2.5 X 3.5-2X	4
18	31.71806.000	PCF COVER FRONT	1
19	46.71702.010	SCREW T4 M2.5 X 3.5-2X	4
20	42.71800.000	SCREW T4 M2.5 X 3.5-2X	1
21	42.71800.000	SCREW T4 M2.5 X 3.5-2X	1
22	42.71800.000	SCREW T4 M2.5 X 3.5-2X	1
23	42.71800.000	SCREW T4 M2.5 X 3.5-2X	1
24	31.71807.000	PCF COVER FRONT	1
25	31.71807.000	PCF COVER FRONT	1
26	31.71808.000	PCF COVER FRONT	1
27	31.71809.000	PCF COVER FRONT	1
28	55.71702.001	CHIT R0 79G	1
29	31.71803.000	PCF COVER FRONT	1
30	66.00048.090	SCREW T4 M2.5 X 3.5-2X	35
31	57.72416.011	SCREW T4 M2.5 X 3.5-2X	2
32			
33			
34			
35			

MODEL NO.	7279G/01G	NAME	ASPIRE DRAWING
DATE	2007.08.10	DESIGNER	WANG JIAN
DATE	2007.08.10	CHECKER	WANG JIAN
DATE	2007.08.10	APPROVER	WANG JIAN

Copyright © 2007 Acer Incorporated. All rights reserved.

Model Name: Aspire 7279G/01G

Revision: 01

Doc No: 407-C01